



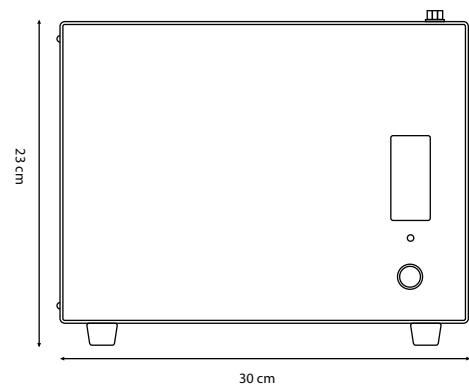
TECH TALK

MODULAIR XL

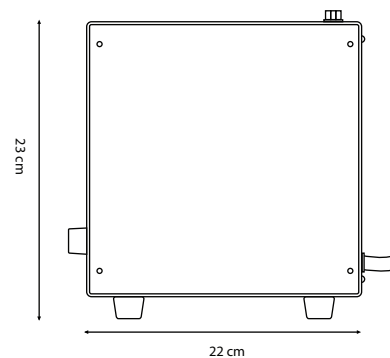


FRONT VIEW

DIMENSIONS	30 x 22 x 23 cm
WEIGHT	8,6 kg
MATERIALS	Powder coated steel
LOCKABLE	No lock
COLOURS	Anthracite (RAL 7021)
SCENT COVERAGE	1500-3000 m3 50.000/100.000 ft3
SCENT INTENSITY	Adjustable scent output
SOUND	< 39 dB
VOLTAGE	220-240 V
POWER	58 W
FREQUENCY	50 - 60 Hz
CONTROLLER	Zaluti Multi Controller or Bluetooth
BLUETOOTH APP	Yes
WARRANTY	7 years international warranty
MADE IN	The Netherlands



SIDE VIEW



ZALUTI B.V.
Kapittelweg 12
4827 HG Breda
The Netherlands

Tel. 0031 76 20 55 239
welcome@zaluti.com
www.zaluti.com

VAT-nr.: NL 8551 80 365 B01
IBAN: NL20 RABO 030 43 180 86
BIC: RABONL2U
Bank: Rabobank Breda